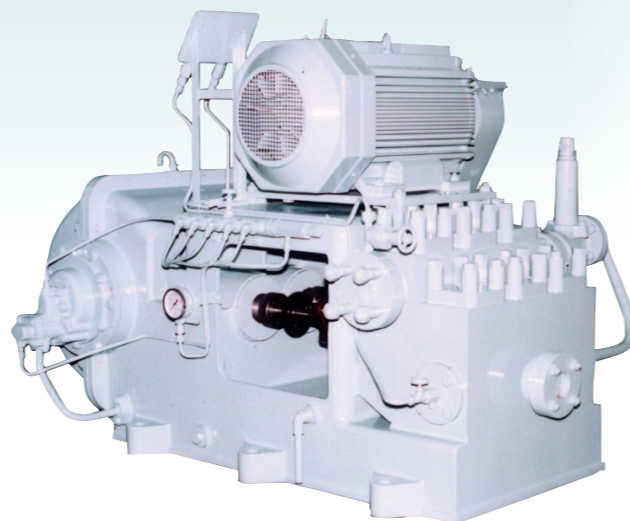


APPLICATIONS

Cold start boiler feed pumps



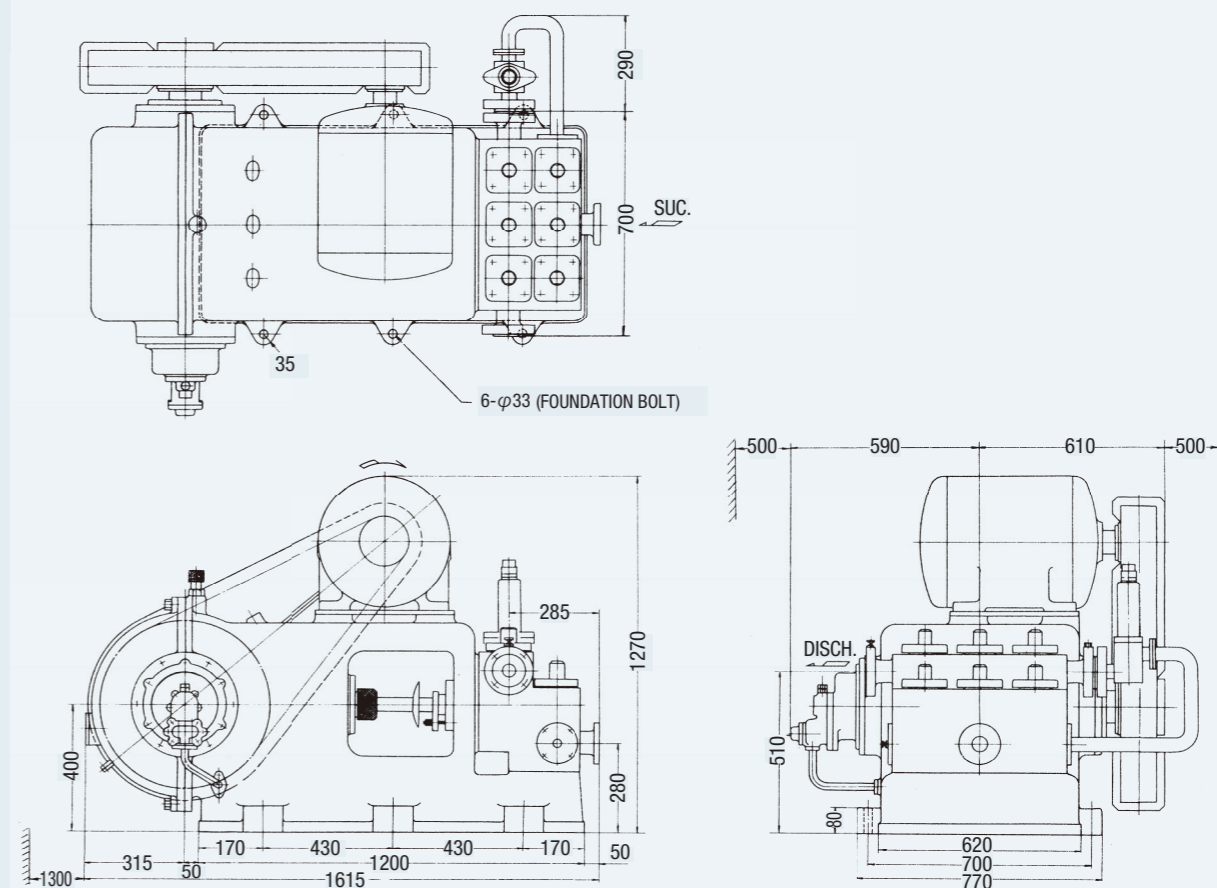
GENERAL CHARACTERISTICS

Item	Model	HLX 3	HLX 6
Capacity	(m ³ /h)	3.0	6.0
Max. discharge pressure	(MPaG)	12	
Plunger diameter	(mm)	35	40
Motor speed	(min ⁻¹)	900	1200
Suction bore	(mm)	50	
Discharge bore	(mm)	40	
LO filled in crank case	(ℓ)	60	
Weight (without motor)	(kg)	1650	

Unit : MPaG

Motor kW × min ⁻¹	Capacity	HLX 3	HLX 6
15 × 900		7 ~ 8	
18.5 × 900		8 ~ 9.9	
22 × 900		9.9 ~ 12	
30 × 1200			7 ~ 8.9
37 × 1200			8.9 ~ 11
45 × 1200			11 ~ 12

HLX 3~HLX 6



Dimensions:mm