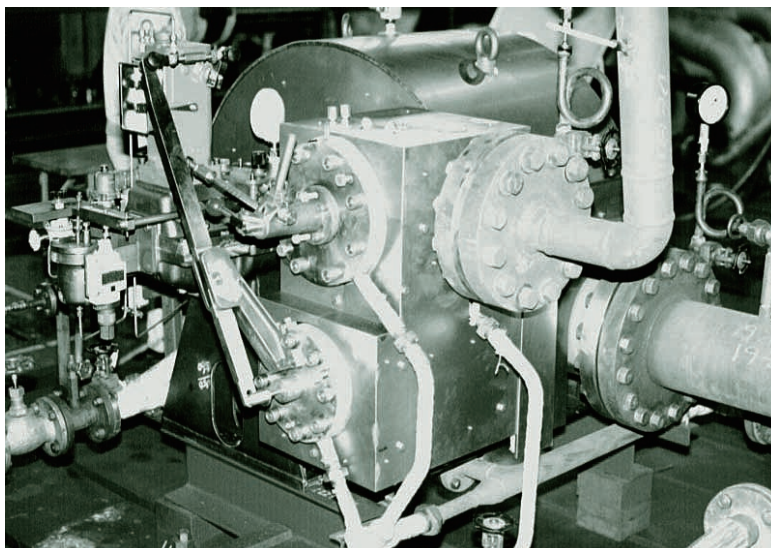


Curtis single-stage STEAM TURBINES

SHINKO DER

■ APPLICATIONS

Boiler feed pumps
Forced draft fans
Induced draft fans
Pumps and others



■ SPECIFICATIONS

Max. output 1000 kW
Max. exhaust steam pressure .. 2.5 MPaG
Gland seal Labyrinth packing
Lubrication system Oil ring

■ GENERAL CHARACTERISTICS

Item	Model	DER 61A
Max. output	(kW)	1000
Max. speed	(rpm)	3600
Direction of rotation		CW facing turbine toward driven machine
Max. inlet steam pressure	(MPaG)	6.2
Max. inlet steam temperature	(°C)	510
Max. exhaust steam pressure	(MPaG)	2.5
Steam inlet bore	(mm)	150
Steam exhaust bore	(mm)	250
Lubrication system		Oil ring
LO required	(ℓ)	3.5
Cooling water required	(m ³ /h)	1
Governor		Woodward UG or PG
Hand nozzle valve		Available according to requirement
Weight (turbine proper)	(kg)	1700

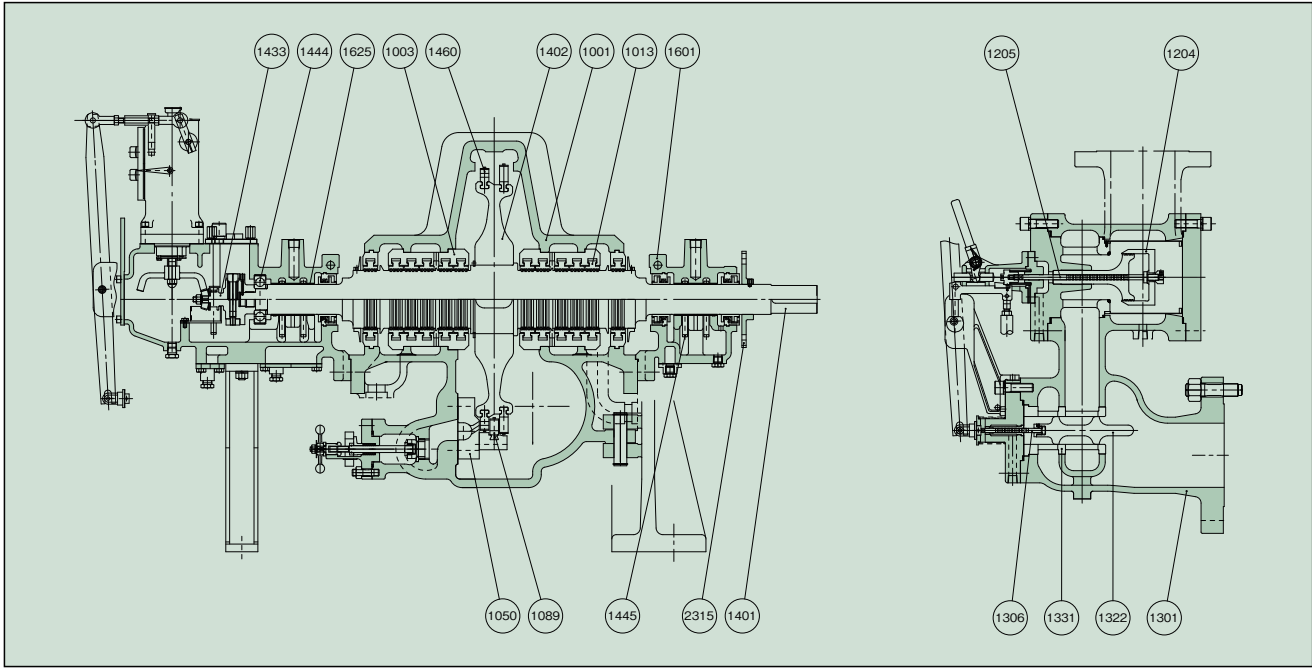
● Governor

Max. speed regulation 0.5%
Max. speed variation ±0.25%
Max. speed rise 7%
Speed range +5 ~ -30%
NEMA class D

● Emergency Trip Device

Actuation of overspeed trip 115% of rated speed

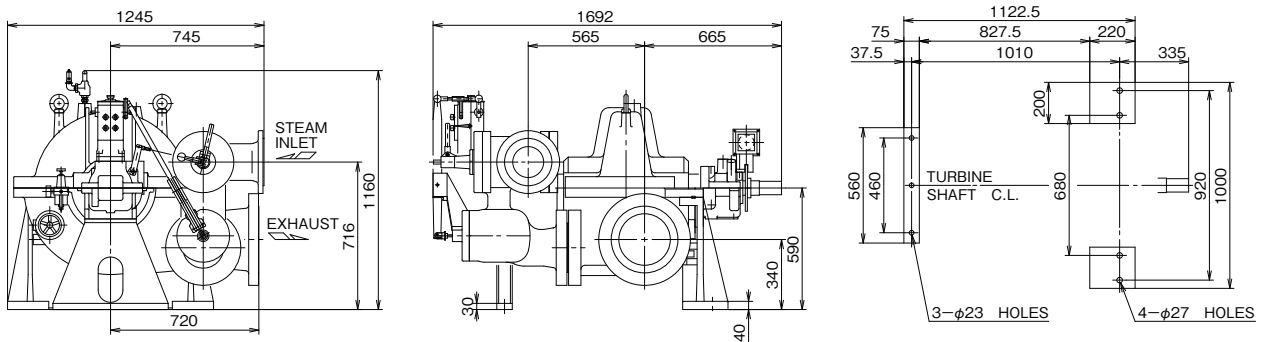
DESIGN & MATERIALS



PART NO.	NAME OF PART	MATERIAL		REQ.NO. FOR 1 TURBINE	PART NO.	NAME OF PART	MATERIAL		REQ.NO. FOR 1 TURBINE
		NAME	JIS				NAME	JIS	
1001	TURBINE CASING	CAST STEEL	SCPH2	1SET	1331	LINER	STAINLESS STEEL	SUS420J2	1
1003	PACKING CASE	CARBON STEEL	S35C	1SET	1401	TURBINE SHAFT	FORGED STEEL	SF540A	1
1013	LABYRINTH PACKING	Ni-Br CASTING		12SETS	1402	DISC ROTOR	"	"	1
1050	NOZZLE	STAINLESS STEEL	SUS403	1	1433	OVERSPEED TRIP SHAFT	CARBON STEEL	S35C	1
1089	STATIONARY BLADE	"	"	1SET	1444	BALL BEARING	SPECIAL STEEL	SUJ2	1
1204	EMERGENCY VALVE	"	SUS420J2	1	1445	OIL RING	BRONZE	CAC407	4
1205	VALVE STEM	STELLITE		1	1460	MOVING BLADE	STAINLESS STEEL	SUS410J1	1SET
1301	GOVERNOR VALVE CASING	CAST STEEL	SCPH2	1	1601	BEARING HAUSING	NI CAST IRON		1SET
1306	VALVE STEM	STELLITE		1	1625	BEARING METAL	WHITE METAL WITH STEEL	WJ2 S25C	1SET
1322	GOVERNOR VALVE	STAINLESS STEEL	SUS420J2	1	2315	TACHOMETER ROTOR	STEEL WITH MAGNETS	SS400	1SET

OUTLINE DIMENSIONS

Dimensions : mm



SHINKO IND.LTD.