

Horizontal two-stage single-suction EXHAUST GAS BOILER FEED PUMPS

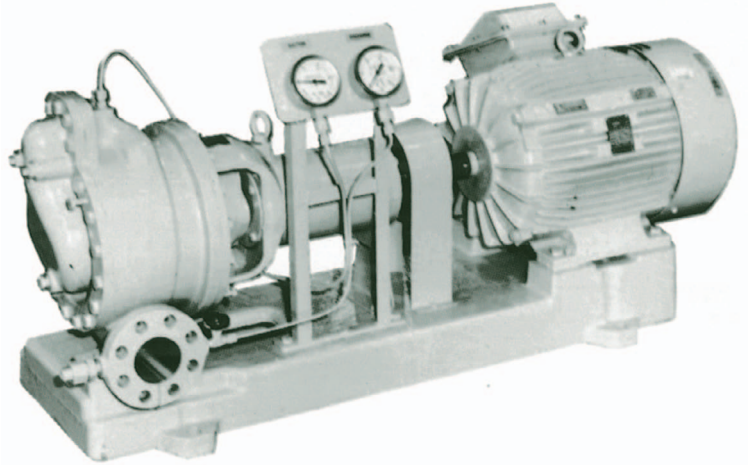


APPLICATIONS

- Exhaust gas boiler feed pumps
- Water supply pumps
- Other general use

SPECIFICATIONS

- Total head 50 to 200m
- Temperatures Below 100°C

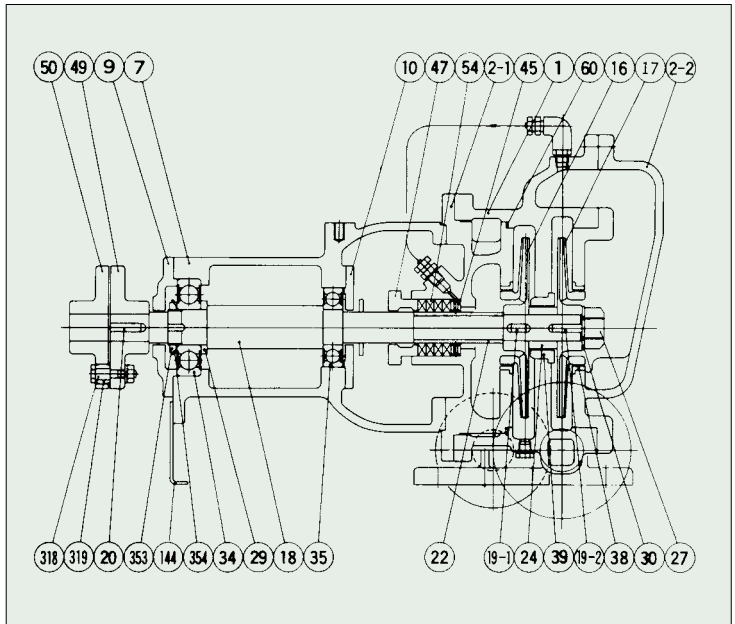


GENERAL CHARACTERISTICS

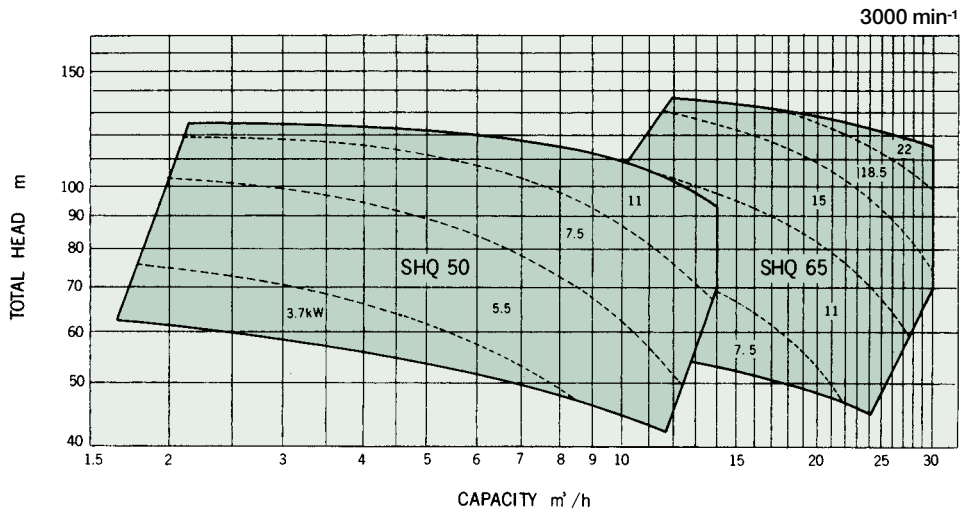
Item	Model	SHQ 50	SHQ 65
Rotation		Clockwise when viewed from the driver	
Suction bore	(mm)	50	65
Discharge bore	(mm)	50	65
Ball bearings		6308VV + 6309VV	
Service life	(hr)	Above 20000	
Stuffing box seal		Gland packing or mechanical seal	
Weight with baseplate	(kg)	160	180

DESIGN & STANDARD MATERIALS

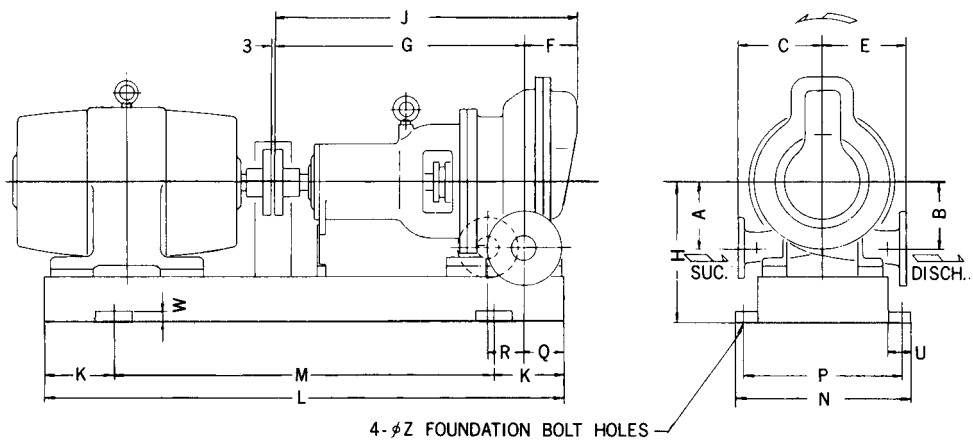
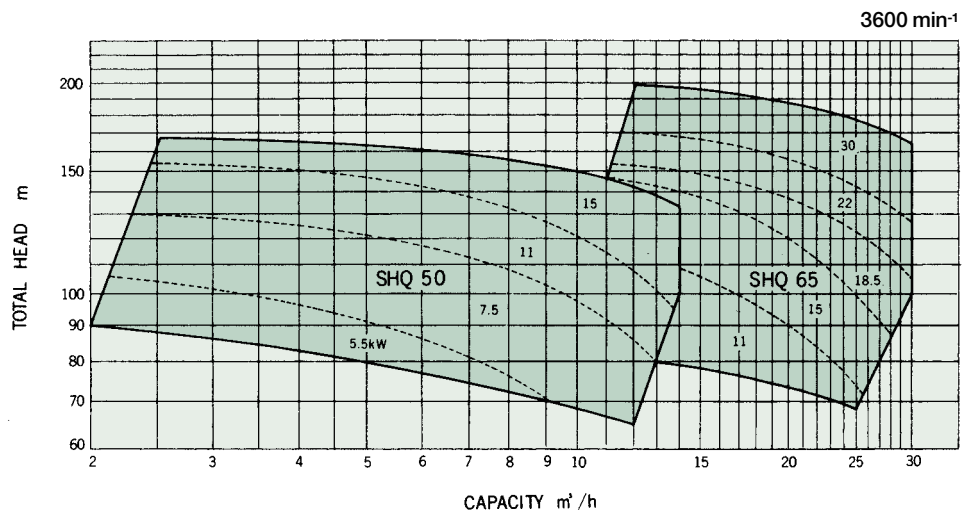
PART NO.	NAME OF PART	MATERIAL		REQ.NO. FOR 1 PUMP
		NAME	JIS	
1	VOLUTE CASING	CAST IRON	FC200	1
2-1	VOLUTE COVER	"	"	1
2-2	VOLUTE COVER	"	"	1
7	BEARING HOUSING	"	"	1
9, 10	BEARING COVER	"	"	2
16, 17	IMPELLER	PHOSPHOR BRONZE	CAC502A	2
18	IMPELLER SHAFT	STAINLESS STEEL	SUS403	1
22	SLEEVE	"	"	1
24	INTERMEDIATE SLEEVE	"	"	1
27	IMPELLER NUT	"	SUS304	1
30	WASHER	"	"	1
34, 35	SEALED BALL BEARING	SPECIAL STEEL		2
38	MOUTH RING	BRONZE	CAC403	2
39	CASING RING	"	CAC406	1
45	SEALING RING	SYNTHETIC RESIN		1
47	GLAND	BRONZE	CAC406	1
49, 50	COUPLING	DUCTILE CAST IRON	FCD400	2
54	GLAND PACKING	CARBONIZED FIBER		1 SET
318	COUPLING BOLT & NUT	STEEL	SS400	1 SET
319	COUPLING RING	RUBBER		1 SET



50Hz



60Hz



mm

Model	A	B	C	E	F	G	H	J	K	L	M	N	P	Q	R	U	W	Z
SHQ 50	140	140	190	190	120	540	300	660	150	1100	800	430	390	100	80	50	30	23
SHQ 65	150	150	200	200	130	554	335	684	150	1250	950	460	410	110	90	65	30	25

SHINKO IND.LTD.