

Vertical single/multi-stage single-suction axial-flow-caisson CONDENSATE PUMPS



APPLICATIONS

- Condensate pumps
- Hot well pumps
- Drain transfer pumps

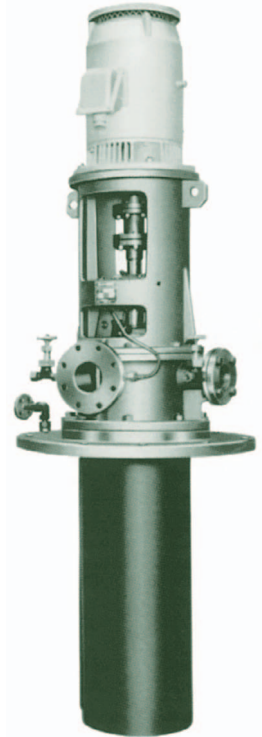
SPECIFICATIONS

- Total head 15 to 200m
- Temperatures Below 100°C

GENERAL CHARACTERISTICS

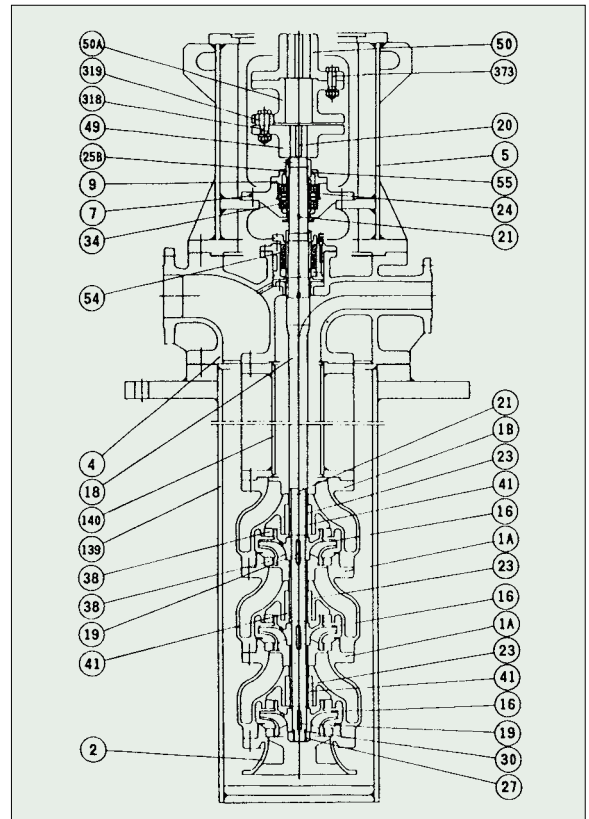
Item	Model	SD 50	SD 65	SD 100	SD 125	SD 150	SD 200	SD 250	SD 300	SD 350
Number of stages		One to 6								
Rotation		Clockwise when viewed from the driver								
Suction bore (mm)		100	125	200	200	250	350	400	500	600
Discharge bore (mm)		50	65	100	125	150	200	250	300	350
Ball bearings		6308	6310	6310	6310	6314	6314	6316	6322	6326
Service life (hr)		Above 60000								
Amount of grease filled (g)		15	25	25	25	50	50	70	150	270
Stuffing box seal		Gland packing or mechanical seal								
Weight (except motor) (kg)		340	430	570	660	860	1150	1420	1500	1950

Ball bearing size varies with number of stages.
Weight refers to the case where barrel length is 2 m and number of stages is one.

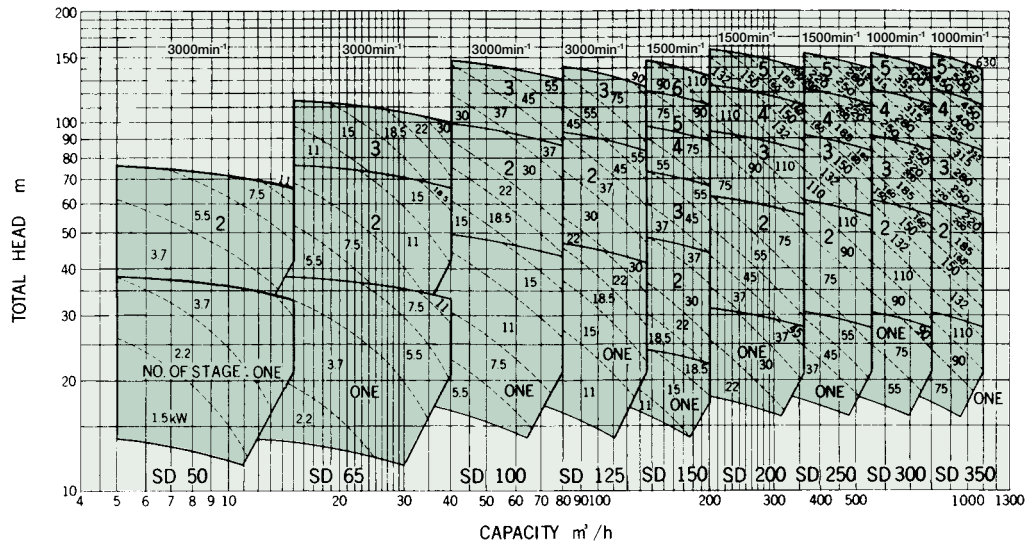


DESIGN & STANDARD MATERIALS

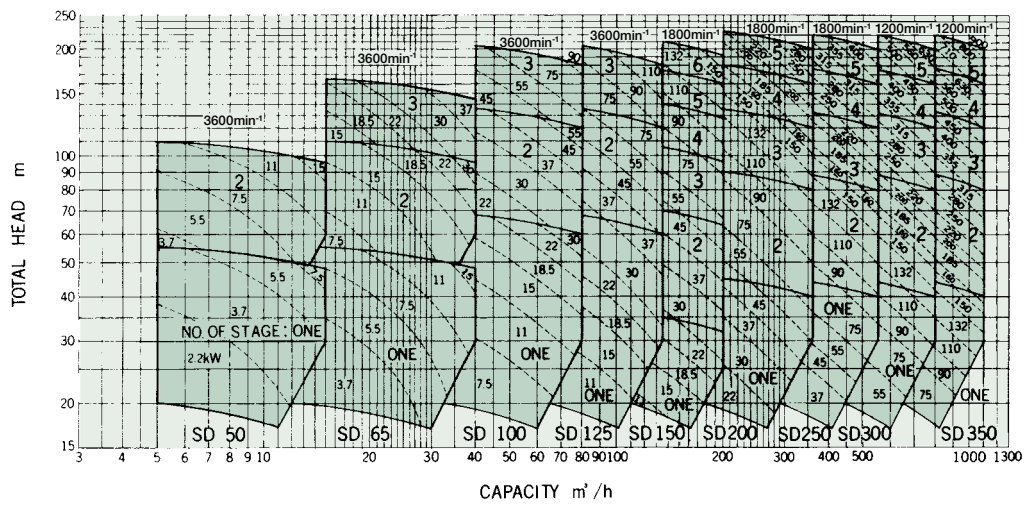
PART NO.	NAME OF PART	MATERIAL		REQ.NO. FOR 1 PUMP
		NAME	JIS	
1A	VOLUTE CASING	CAST IRON	FC200	
1B	VOLUTE CASING	"	"	1
2	VOLUTE COVER	"	"	1
4	PUMP BED	"	"	1
5	MOTOR BED	STEEL	SS400	1
7	BEARING HOUSING	CAST IRON	FC200	1
9	BEARING COVER	"	"	1
16	IMPELLER	PHOSPHOR BRONZE	CAC502A	
18	IMPELLER SHAFT	STAINLESS STEEL	SUS403	1
23	SLEEVE	"	"	
24	SLEEVE	"	"	1
27	IMPELLER NUT	"	SUS304	1
34	BALL BEARING	SPECIAL STEEL		2
38	MOUTH RING	BRONZE	CAC403	
41	LINE BEARING	CARBON		
49, 50	COUPLING	DUCTILE CAST IRON	FCD400	2
50A	COUPLING SPACER	"	"	1
54	GLAND PACKING	CARBONIZED FIBER		1 SET
139	BARREL	CARBON STEEL	STPG370	1
140	DISCHARGE PIPE	"	"	1
318	COUPLING BOLT & NUT	STEEL	SS400	1 SET
319	COUPLING RING	RUBBER		1 SET



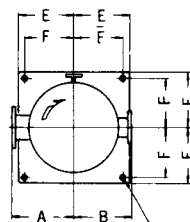
50Hz



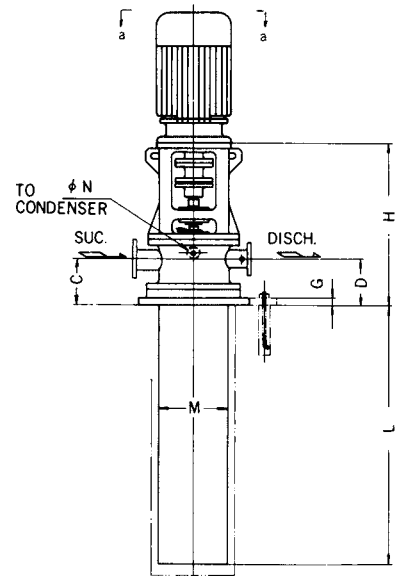
60Hz



ARROW a-a



4-φ J FOUNDATION BOLT HOLES



Model	A	B	C	D	E	F	G	H	J	M	N
SD 50	300	300	240	240	250	210	35	860	25	318	25
SD 65	350	300	240	240	300	260	35	895	25	356	25
SD 100	350	330	310	310	350	300	40	1010	33	406	25
SD 125	350	330	310	310	350	300	40	1010	33	457	25
SD 150	450	385	330	330	400	350	40	1078	33	610	25
SD 200	550	420	400	400	450	400	40	1200	33	711	32
SD 250	600	430	440	440	500	450	40	1250	33	762	32
SD 300	650	500	515	515	500	450	40	1300	33	813	32
SD 350	700	540	590	590	550	500	40	1500	33	914	32

SHINKO IND.LTD.